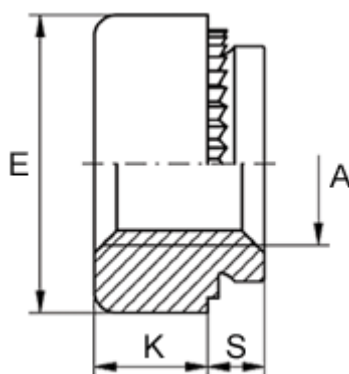


Article number: 12501000060100  
Description: KLEE-coil 501 000 060.100  
M6 Hardened, zinc-pl./chr. yellow

## Measures

---



Female thread A	= M6
Height K	= 4.0
Max recess height	= 1.0
Min distance to edge	= 5.0
Outer diameter E	= 11.0
Plate thickness	= 1.4 to 2.3
Recommended bore diameter +0.05	= 9.00